

800/1000ML DISPENSER MOUNTING INSTRUCTIONS

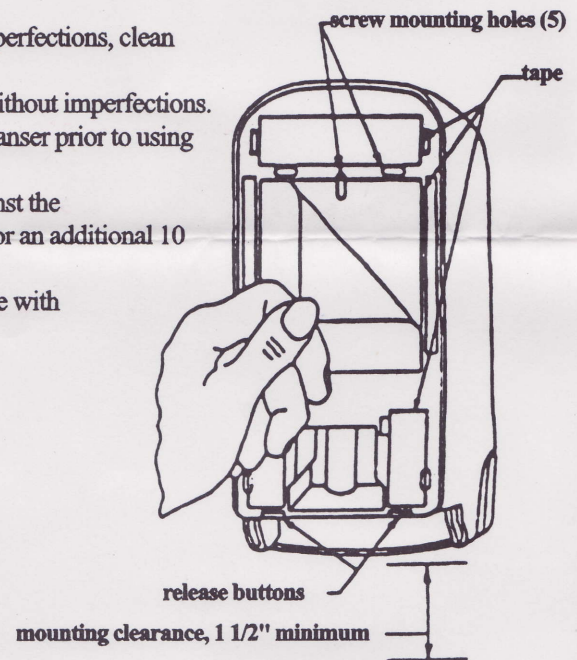
READ COMPLETE INSTRUCTIONS PRIOR TO INSTALLATION

TAPE MOUNTING

- Extreme caution must be exercised to insure mounting surface is flat, free of imperfections, clean and dry.
Tape mounting is only recommended for mirrors or other similar flat surfaces without imperfections. Clean flat surface with supplied towelette, or other surfaces with an abrasive cleanser prior to using towelette (depending on surface condition). Dry surface thoroughly.
- Remove protective backing from tape as shown and firmly press dispenser against the mounting surface for 10 seconds. Open cover and press directly on back plate for an additional 10 seconds. Allow 8 hours before loading unit.
- Opening instructions - Push up on the two release buttons on each side at the base with the thumb and forefinger. With the other hand, gently pull the cover back away from the wall at the top of the dispenser.

SCREW MOUNTING

- Recommended for surfaces that do not meet the standards set forth for Tape Mounting in the section above.
- Hold dispenser against wall in desired position, open cover and mark screw hole location on wall, insuring that screw heads will not interfere with release bar.
- Use appropriate anchors and drill size for # 10 x 1" self tapping screws to attach dispenser firmly to the wall.

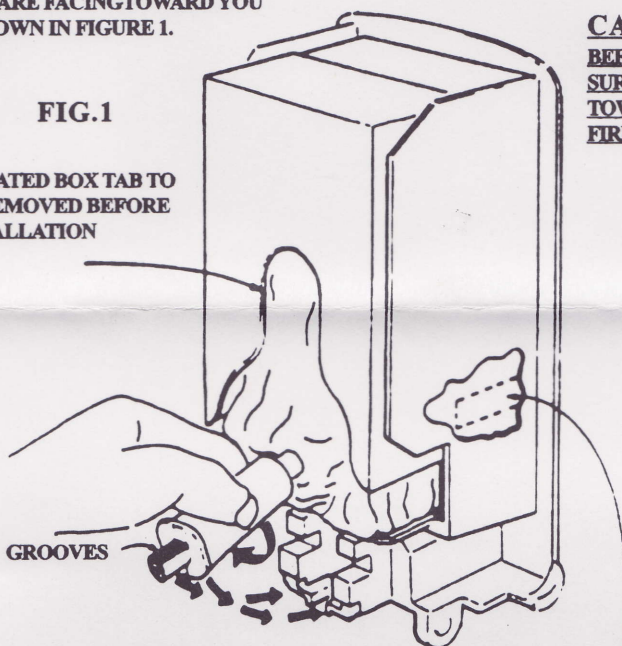


SOAP INSTALLATION INSTRUCTIONS

PLACE THE CARTRIDGE ON THE DISPENSER PLATFORM. PULL THE NOZZLE DOWN AND WITH THE THUMB AND FOREFINGER. ROTATE THE TOP OF THE TUBE SO THAT THE GROOVES ON THE PUMP ARE FACING TOWARD YOU AS SHOWN IN FIGURE 1.

FIG.1

SERRATED BOX TAB TO BE REMOVED BEFORE INSTALLATION



TRADEMARK AND PATENTS APPLY

REMOVAL OF SERRATED BOX TAB MAY BE REQUIRED IN SOME INSTALLATIONS

THEN PLACE THE TOP OF THE TUBE FIRMLY IN THE CHANNEL OF THE UPPER LOCATOR AND FIT THE EARS ON THE TIP END IN THE LOWER LOCATION WITH THE GROOVES CENTERED AND FACING TOWARD YOU, AS SHOWN IN FIGURE 2.

CAUTION:

BEFORE CLOSING THE COVER, CHECK TO MAKE SURE THE GROOVES ARE CENTERED AND FACING TOWARD YOU AND THE EARS OF THE PUMP TIP ARE FIRMLY SEATED IN THE SLOTS OF THE LOWER LOCATOR.

FIG.2

